

BALDOR® • RELIANCE 

Product Information Packet

CFSWDM3554-5E

1.5HP, 1760RPM, 3PH, 60HZ, 56C, 3528M, TEFC, F1

| Part Detail | | | | | | | |
|-------------|---------|-------------|------------|-------------|--------|---------------|------------|
| Revision: | D | Status: | PRD/A | Change #: | | Proprietary: | No |
| Type: | AC | Elec. Spec: | 35WGL772 | CD Diagram: | CD0006 | Mfg Plant: | |
| Mech. Spec: | 35E4741 | Layout: | 35LYE4741 | Poles: | 04 | Created Date: | 07-25-2017 |
| Base: | RG | Eff. Date: | 08-26-2019 | Leads: | 3#18 | | |

| Specs | | | |
|---------------------------------|-------------------------|--------------------------------|------------------------|
| Catalog Number: | CFSWDM3554-5E | KVA Code: | L |
| Enclosure: | TEFC | Lifting Lugs: | No Lifting Lugs |
| Frame: | 56C | Locked Bearing Indicator: | Locked Bearing |
| Frame Material: | Stainless Steel | Motor Finish: | UNPAINTED |
| Output @ Frequency: | 1.500 HP @ 60 HZ | Motor Lead Quantity/Wire Size: | 3 @ 18 AWG |
| Synchronous Speed @ Frequency: | 1800 RPM @ 60 HZ | Motor Lead Exit: | Ko Box |
| Voltage @ Frequency: | 575.0 V @ 60 HZ | Motor Lead Termination: | Flying Leads |
| XP Class and Group: | None | Motor Type: | 3528M |
| XP Division: | Not Applicable | Mounting Arrangement: | F1 |
| Agency Approvals: | UR | Power Factor: | 75 |
| | CSA | Product Family: | WD All SS Encapsulated |
| Auxillary Box: | No Auxillary Box | Pulley End Bearing Type: | Sealed Bearing |
| Auxillary Box Lead Termination: | None | Pulley Face Code: | C-Face |
| Base Indicator: | Rigid | Pulley Shaft Indicator: | Standard |
| Bearing Grease Type: | Polyrex EM (-20F +300F) | Rodent Screen: | None |
| Blower: | None | RoHS Status: | ROHS COMPLIANT |
| Current @ Voltage: | 1.700 A @ 575.0 V | Shaft Extension Location: | Pulley End |
| Design Code: | B | Shaft Ground Indicator: | No Shaft Grounding |

| | | | |
|---------------------------------------|---------------------------|------------------------------------|---------------------|
| Drip Cover: | No Drip Cover | Shaft Rotation: | Reversible |
| Duty Rating: | CONT | Shaft Slinger Indicator: | No Slinger |
| Electrically Isolated Bearing: | Not Electrically Isolated | Speed Code: | Single Speed |
| Feedback Device: | NO FEEDBACK | Motor Standards: | NEMA |
| Front Face Code: | Standard | Starting Method: | Direct on line |
| Front Shaft Indicator: | None | Thermal Device - Bearing: | None |
| Heater Indicator: | No Heater | Thermal Device - Winding: | None |
| Insulation Class: | H | Vibration Sensor Indicator: | No Vibration Sensor |
| Inverter Code: | Inverter Ready | Winding Thermal 1: | None |
| | | Winding Thermal 2: | None |

| | | | | | | | | | | | |
|----------------------------|---------------|--|-----------|-------------|-----------------------|------------|---|--|--------------|-----------|---|
| Nameplate NP1953A01 | | | | | | | | | | | |
| CAT.NO. | CFSWDM3554-5E | | | | | | | | | | |
| SPEC. | 35E4741L772G1 | | | | | | | | | | |
| HP | 1.5 | | | | | | | | | | |
| VOLTS | 575 | | | | | | | | | | |
| AMP | 1.7 | | | | | | | | | | |
| RPM | 1760 | | | | | | | | | | |
| FRAME | 56C | | | | HZ | 60 | | | | PH | 3 |
| SER.F. | 1.15 | | | CODE | L | DES | B | | CLASS | H | |
| NEMA-NOM-EFF | 86.5 | | | | PF | 75 | | | | | |
| RATING | 40C AMB-CONT | | | | | | | | | | |
| CC | 010A | | | | USABLE AT 208V | | | | | | |
| DE | 6205 | | | | ODE | 6205 | | | | | |
| ENCL | TEFC | | SN | | | | | | | | |
| | 4:1CT, 10:1VT | | | | | | | | | | |

| Parts List | | |
|---------------|--|----------|
| Part Number | Description | Quantity |
| SA346466 | SA 35E4741L772G1 | 1.000 EA |
| RA334981 | RA 35E4741L772G1 | 1.000 EA |
| 34FN3002A01SP | EXTERNAL FAN, PLASTIC, .637/.639 HUB W/ | 1.000 EA |
| 35CB1012A02 | 35 MACH MID SECTION - 3 PC. CONDUIT BOX | 1.000 EA |
| 10XN1032FS08 | HEX HD CAP SCREW 10-32 X 1/2 SS FOOD SAF | 3.000 EA |
| 11XW1032G08 | 10-32 X .50, TAPTITE II, HEX WSHR SLTD U | 1.000 EA |
| HW3001B02 | BRASS CUP WASHER W/GROUND SYMBOL TAB, | 1.000 EA |
| 35EP1940A05 | FRONT TEFC 205 BRG (STAINLESS) | 1.000 EA |
| RM1070A25 | O-RING, VITON/FKM .070CS X 6.190ID | 1.000 EA |
| HW4600G01 | .984X1.499X.25 VITON SLICK SERIES LIP | 1.000 EA |
| HW4600E99 | 25 X 42 X 6 AFX SEAL, GRAPHITE INFUSED V | 1.000 EA |
| HW4500S33 | 1/8 NPT STAINLESS #304 SS PLUG | 3.000 EA |
| HA4054 | SHORT T-DRAIN FITTING, .125" N.P.T. | 1.000 EA |
| HW5100A05 | WVY WSHR F/205 & 304 BRGS | 1.000 EA |
| 35EP1935A02 | PULLEY 56C/143-5TC ENCL 205 BRG | 1.000 EA |
| RM1070A25 | O-RING, VITON/FKM .070CS X 6.190ID | 1.000 EA |
| HW4600G01 | .984X1.499X.25 VITON SLICK SERIES LIP | 1.000 EA |
| HW4600E99 | 25 X 42 X 6 AFX SEAL, GRAPHITE INFUSED V | 1.000 EA |
| HW4500S33 | 1/8 NPT STAINLESS #304 SS PLUG | 3.000 EA |
| HA4054 | SHORT T-DRAIN FITTING, .125" N.P.T. | 1.000 EA |
| RM1070A26 | O-RING,4.5MM I.D.X1.5MM C.S. (VITON) | 4.000 EA |
| 35FH4005A39 | IEC FH NO GREASER DEBURR/CLEAN - SS | 1.000 EA |
| 10XN1032FS06 | HEX HD CAP SCREW 10-32 X 3/8 SS FOOD SAF | 3.000 EA |
| RM1070A81 | O-RING, -043 VITON/FKM .070CS X 3.489ID | 1.000 EA |

| Parts List (continued) | | |
|-------------------------------|--|-----------------|
| Part Number | Description | Quantity |
| 35CB1511A01 | 35-36-37 MACH. LID - 3 PC. CONDUIT BOX | 1.000 EA |
| RM1070A81 | O-RING, -043 VITON/FKM .070CS X 3.489ID | 1.000 EA |
| HW2502D13 | SS KEY, 3/16 SQ X 1.375 | 1.000 EA |
| HA7000A04 | KEY RETAINER 0.625 DIA SHAFTS | 1.000 EA |
| MJ5001A27 | 32220KN GRAY SEALER *MIN BUY 4 QTS=1GAL | 0.005 QT |
| MJ5004A93 | FOOD GRADE (H1 RATED) ANTISEIZE THRD COM | 0.005 EA |
| MJ1000A02 | GREASE, MOBIL POLYREX EM - 124047 | 0.050 LB |
| 19XB0818S12 | 8-18X3/4 HXWS TYB HIGH-LOW | 1.000 EA |
| WD5603A01 | KIT, CLOSED-END LEAD SPLICE (18-14GA) | 1.000 EA |
| HA3100FS25 | THRUBOLT, 10-32 X 9.500 SS FOOD SAFE | 4.000 EA |
| 36PA1000 | PKG GRP, PRINT PK1016A06 | 1.000 EA |
| MN416A01 | TAG-INSTAL-MAINT no wire (1200/bx) 3/19 | 1.000 EA |
| HA5027A07 | 85XU1208S08 FACE DRAIN PINS BAGGED | 1.000 EA |
| FE-0000002 | ZRTG FE ASSEMBLY | 1.000 EA |
| PE-0000002 | ZRTG PE ASSEMBLY | 1.000 EA |

AC Induction Motor Performance Data

Record # 65606 - Typical performance - not guaranteed values

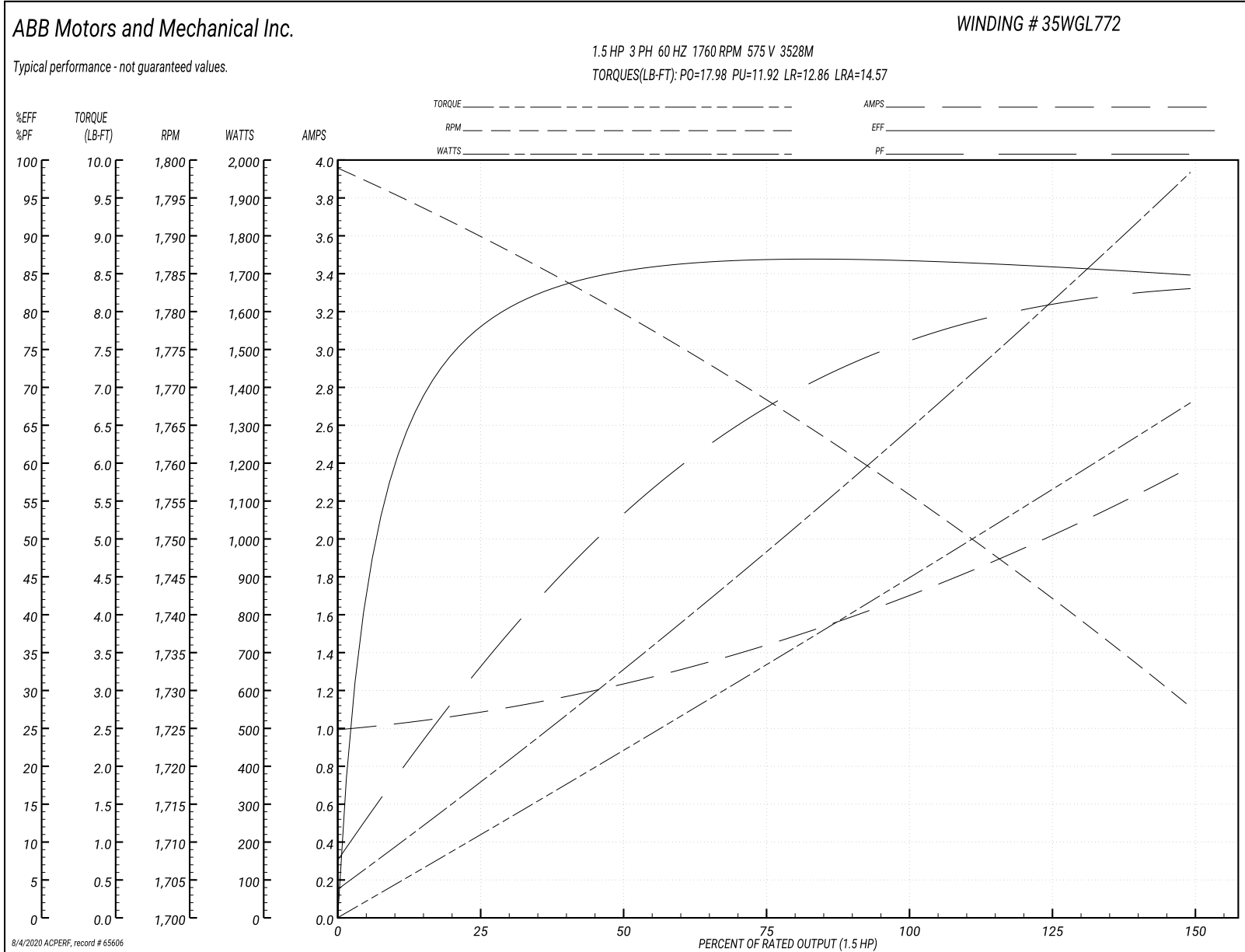
| | | |
|-------------------------------|--------------------|------------------------|
| Winding: 35WGL772-R001 | Type: 3528M | Enclosure: TEFC |
|-------------------------------|--------------------|------------------------|

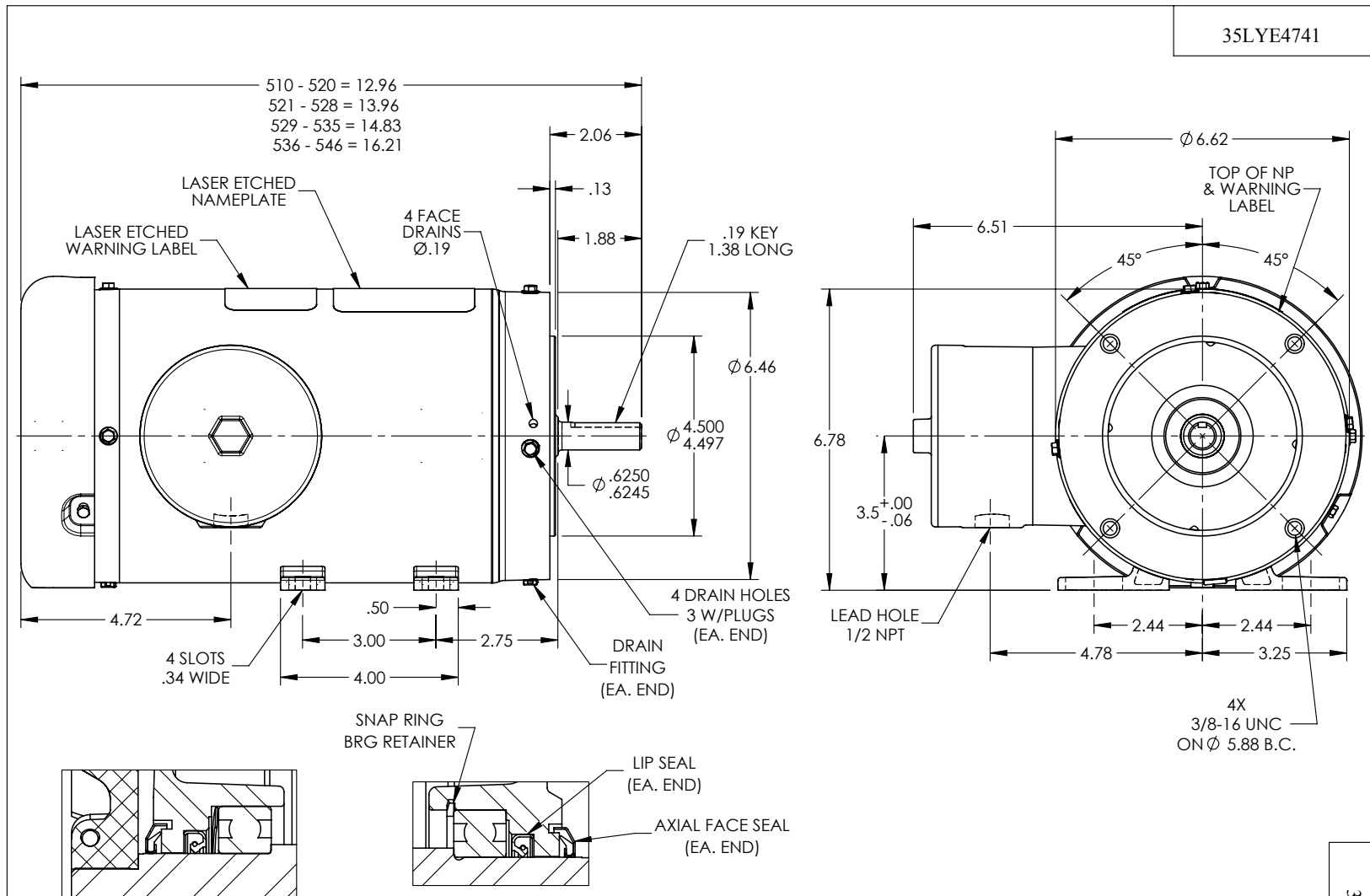
| Nameplate Data | | | | 575 V, 60 Hz: Single Voltage Motor | |
|-----------------------|--------------|--------------|----|---------------------------------------|--------------------------|
| Rated Output (HP) | 1.5 | | | Full Load Torque | 4.46 LB-FT |
| Volts | 575 | | | Start Configuration | direct on line |
| Full Load Amps | 1.7 | | | Breakdown Torque | 17.98 LB-FT |
| R.P.M. | 1760 | | | Pull-up Torque | 11.92 LB-FT |
| Hz | 60 | Phase | 3 | Locked-rotor Torque | 12.86 LB-FT |
| NEMA Design Code | B | KVA Code | L | Starting Current | 14.57 A |
| Service Factor (S.F.) | 1.15 | | | No-load Current | 1.01 A |
| NEMA Nom. Eff. | 86.5 | Power Factor | 75 | Line-line Res. @ 25°C | 16.5 Ω |
| Rating - Duty | 40C AMB-CONT | | | Temp. Rise @ Rated Load | 58°C |
| S.F. Amps | | | | Temp. Rise @ S.F. Load | 70°C |
| | | | | Locked-rotor Power Factor | 50.7 |
| | | | | Rotor inertia | 0.165 LB-FT ² |

Load Characteristics 575 V, 60 Hz, 1.5 HP

| % of Rated Load | 25 | 50 | 75 | 100 | 125 | 150 | S.F. |
|-----------------|------|------|------|------|------|------|------|
| Power Factor | 33 | 53 | 67 | 75 | 81 | 83 | 79 |
| Efficiency | 77 | 85.3 | 86.7 | 86.8 | 86.1 | 84.7 | 86.3 |
| Speed | 1790 | 1780 | 1769 | 1756 | 1742 | 1728 | 1748 |
| Line amperes | 1.06 | 1.22 | 1.44 | 1.71 | 2.02 | 2.37 | 1.9 |

Performance Graph at 575V, 60Hz, 1.5HP Typical performance - Not guaranteed values





FRONT END DETAIL

PULLEY END DETAIL

CUSTOMER IS RESPONSIBLE FOR DETERMINING THAT BALDOR'S PRODUCT WILL PERFORM SUITABLY IN THE INTENDED APPLICATION

| | | | |
|--|-------------|------------------------------|-------------------|
| REV. DESC: NP LEADER POINTED TO WARNING LABEL & LEADER FOR | | | |
| REV: A | VERSION: 01 | REVISED: 01:39:56 01/15/2018 | TDR: 000001056998 |
| 35LYE4741 | | MODEL NO. 35LYE4741 | REF: - |
| | | BY: ENMARH0 | |

BALDOR

STD HORZ 56C TEFC 35M WD11/12

35LYE4741

CD0006



NOTES:

1. THREE LEAD MOTOR MAY BE EITHER WYE CONNECTED OR DELTA CONNECTED.
2. INTERCHANGE ANY TWO LINE LEADS TO REVERSE ROTATION.
3. OPTIONAL THERMOSTATS ARE PROVIDED WHEN SPECIFIED.
4. ACTUAL NUMBER OF INTERNAL PARALLEL CIRCUITS MAY VARY.
5. LEAD COLORS ARE OPTIONAL. LEADS MUST BE NUMBERED AS SHOWN.

CD0006

| | | |
|-----------------------------------|------------------------------|-------------------|
| REV. DESC: ADD CLASS CONN00000007 | | |
| REV. LTR: E | VERSION: 01 | TDR: 000001099922 |
| FILE: \AAA\00005\141 | REVISED: 10:24:49 02/19/2019 | BY: ENBRIRO |
| MTL: - | © □ | |

BALDOR - RELIANCE®

3PH, SV, 3 LEADS, WYE OR DELTA CONNECTED

SH 1 of 1